

clarion®

Owner's manual
Mode d'emploi
Manual de instrucciones

CX201

HD Radio®
READY

2-DIN CD/USB/MP3/WMA RECEIVER
LECTEUR CD/USB/MP3/WMA 2-DIN
RECEPTOR 2-DIN CD/USB/MP3/WMA

CLARION PRODUCT REGISTRATION INFORMATION

For USA and Canada only
www.clarion.com

Dear Customer:

Congratulations on your purchase of a Clarion mobile electronic products. We are confident that you'll enjoy your Clarion experience.

There are many benefits to registering your product. We invite you to visit our website at www.clarion.com to register your Clarion product.

We have made product registration simple with our easy to use website. The registration form is short and easy to complete. Once you're registered, we can keep you informed of important product information.

Register at www.clarion.com - it's easy to keep your Clarion product up to date.

INFORMATIONS DE L'ENREGISTREMENT DE PRODUITS CLARION

Pour les États Unis et le Canada seulement
www.clarion.com

Cher client:

Nous vous remercions d'avoir acheté ce produit électronique mobile Clarion. Nous sommes confiants que vous apprécierez votre expérience Clarion.

Il y a beaucoup d'avantage à enregistrer votre produits. Nous vous invitons à visiter notre site Web www.clarion.com pour enregistrer votre produit Clarion.

Nous avons facilité la tâche d'enregistrement de produit simple et facile grâce à notre site Web. Le formulaire d'enregistrement est court et facile à compléter. Lorsque vous êtes enregistrer, nous pouvons vous tenir informé des informations important de produits.

Enregistrer à www.clarion.com - c'est facile de mettre à jour votre produit Clarion.

INFORMACIÓN DEL REGISTRO DE PRODUCT O DE CLARION

Para USA y Canada nomas
www.clarion.com

Querido Cliente:

Felicitaciones por su compra de producto electrónico móvil de Clarion. Estamos seguros que usted gozará de su experiencia con el producto de Clarion.

Hay muchas ventajas al registrar su producto. Le invitamos a que visite nuestro sitio en internet www.clarion.com para registrar su producto de Clarion.

Hemos hecho el registro de producto fácil en nuestro sitio. La forma de registro es corta y fácil de completar. Una vez que lo registre, podremos proporcionarle la información de su producto.

Regístrese en www.clarion.com - es fácil mantener su producto de Clarion actualizado.

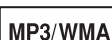
Thank you for purchasing this **Clarion** product.

- * Please read this owner's manual in its entirety before operating this equipment.
- * Check the contents of the enclosed warranty card and keep it carefully with this manual.

Contents

| | |
|---|-----------|
| 1. FEATURES | 3 |
| 2. PRECAUTIONS | 4 |
| 3. CONTROLS | 6 |
| Names of the Buttons and Their Main Functions | 6 |
| 4. REMOTE CONTROL | 7 |
| Functions of Remote Control Unit Buttons | 7 |
| Inserting the Battery | 8 |
| 5. OPERATIONS | 9 |
| Basic Operations | 9 |
| Radio Operations | 12 |
| SIRIUS Satellite Radio Operations | 13 |
| HD Radio Operations | 16 |
| iTunes Tagging | 17 |
| CD/MP3/WMA Operations | 18 |
| Operations Common to Each Mode | 21 |
| 6. ACCESSORIES | 24 |
| USB Operations | 24 |
| iPod/iPhone Operations | 26 |
| 7. TROUBLESHOOTING | 29 |
| 8. ERROR DISPLAYS | 31 |
| 9. SPECIFICATIONS | 32 |

1. FEATURES



- Compatible with iPod®/iPhone® via USB
- 2V/4ch RCA Output with HPF/LPF and BEAT-EQ with 3 Band Parametric Equalizer
- HD Radio Ready™ and Sirius Radio Direct Connect Ready


2. PRECAUTIONS

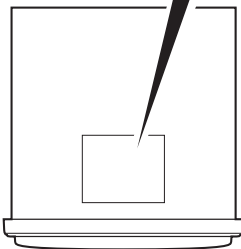
This equipment has been tested and found to comply with the limits for a Class B digital device, pursuant to Part 15 of the FCC Rules.

These limits are designed to provide reasonable protection against harmful interference in a residential installation.

This equipment generates, uses, and can radiate radio frequency energy and, if not installed and used in accordance with the instructions, may cause harmful interference to radio communications. However, there is no guarantee that interference will not occur in a particular installation.

If this equipment does cause harmful interference to radio reception, which can be determined by turning the equipment off and on, the user is encouraged to consult the dealer or an experienced radio technician for help.

| | | |
|--|----------------------|--|
| MODEL | <input type="text"/> | clarion |
| 12V \ominus GROUND AM 530-1710kHz / FM 87.9-107.9MHz | | |
| <small>This device complies with Part 15 of the FCC Rules. Operation is subject to the following two conditions: (1) this device may not cause harmful interference, and (2) this device must accept any interference received, including interference that may cause undesired operation.</small> | | |
| <small>THIS DEVICE COMPLIES WITH DHHS RULES 21 CFR CHAPTER I SUBCHAPTER J APPLICABLE AT DATE OF MANUFACTURE.</small> | | |
| <small>CLARION CO., LTD 7-2' SHINTOSHIN-CHUO-KU/SAITAMA-SHI/SAITAMA 330-0081 JAPAN</small> | | |
| <small>This product includes technology owned by Microsoft Corporation and cannot be used or distributed without a license from MSLGP.</small> | | |
| MANUFACTURED: | | |
| SERIAL No. | <input type="text"/> |  |
| PE- | <input type="text"/> | |
| | | <small>276 <input type="text"/></small> <small>Clarion Co., Ltd.</small> <small>MADE IN <input type="text"/></small> |



Bottom View of Source Unit

CAUTION

USE OF CONTROLS, ADJUSTMENTS, OR PERFORMANCE OF PROCEDURES OTHER THAN THOSE SPECIFIED HEREIN, MAY RESULT IN HAZARDOUS RADIATION EXPOSURE.

THE COMPACT DISC PLAYER SHOULD NOT BE ADJUSTED OR REPAIRED BY ANYONE EXCEPT PROPERLY QUALIFIED SERVICE PERSONNEL.

CHANGES OR MODIFICATIONS NOT EXPRESSLY APPROVED BY THE MANUFACTURER FOR COMPLIANCE COULD VOID THE USER'S AUTHORITY TO OPERATE THE EQUIPMENT.

INFORMATION FOR USERS:

CHANGES OR MODIFICATIONS TO THIS PRODUCT NOT APPROVED BY THE MANUFACTURER WILL VOID THE WARRANTY AND WILL VIOLATE FCC APPROVAL.

Handling Compact Discs

- Compared to ordinary music CDs, CD-R and CD-RW discs are both easily affected by high temperature and humidity and some of CD-R and CD-RW discs may not be played. Therefore, do not leave them for a long time in the car.
- Never stick labels on the surface of the compact disc or mark the surface with a pencil or pen.

Display Screen

In extremely cold, the screen movement may slow down and the screen may darken, but this is normal.

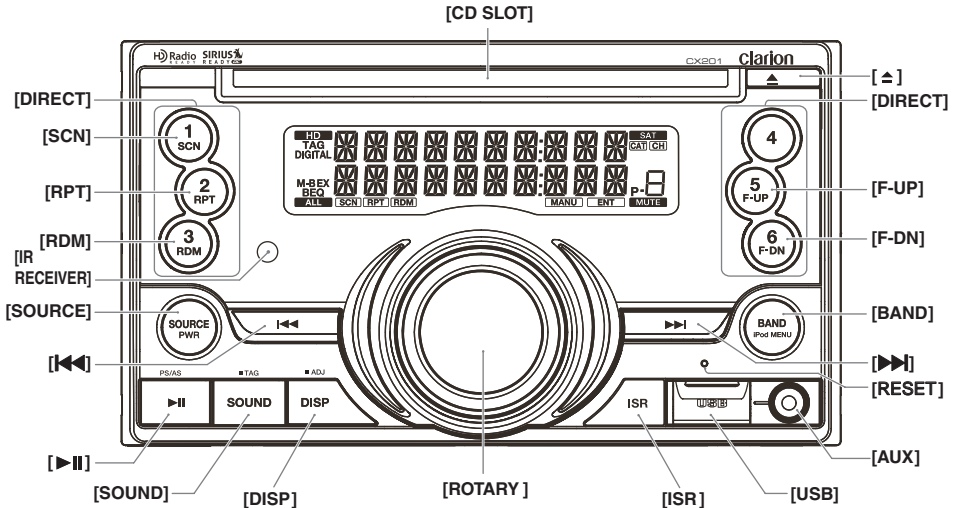
The screen will recover when it returns to normal temperature.

About the registered marks, etc.

- “Made for iPod,” and “Made for iPhone” mean that an electronic accessory has been designed to connect specifically to iPod, or iPhone, respectively, and has been certified by the developer to meet Apple performance standards.
Apple is not responsible for the operation of this device or its compliance with safety and regulatory standards.
Please note that the use of this accessory with iPod or iPhone may affect wireless performance.
iPhone, iPod and iTunes are trademarks of Apple Inc., registered in the U.S. and other countries.
- HD Radio™, HD Radio Ready™ and the HD Radio Ready logo are proprietary trademarks of iBiquity Digital Corporation.
This HD Radio Ready receiver is ready to receive HD Radio broadcasts when connected to the THD300 or THD301, sold separately.
- SIRIUS, the SIRIUS Dog logo and related marks are trademarks of SIRIUS XM Radio, Inc.

3. CONTROLS

Names of the Buttons and Their Main Functions



[DIRECT] buttons

- Store radio stations in memory or recall it directly while in radio mode.

[SCN] button

- Perform scan play for 10 seconds of each track while in CD/MP3/WMA/USB mode.

[RPT] button

- Perform repeat play while in CD/MP3/WMA/USB/iPod mode.

[RDM] button

- Perform random play while in CD/MP3/WMA/USB/iPod mode.

[IR RECEIVER]

- Receiver for remote control unit.
(Operating range: 30° in all directions)

[SOURCE] button

- Turn the power on/off.
- Press to switch the source.

[<<<], [>>>] buttons

- Commence fast-forward or fast-reverse mode.
- Press to seek up/down.

[>>] button

- Perform preset scan while in the radio mode.
- Play or pause a track while in CD/MP3/WMA/USB/iPod mode.

[SOUND] button

- Press to switch to the sound adjust mode.

[DISP] button

- Switch display mode.

[ROTARY] knob

- Rotate to adjust the volume.
- Rotate to select the desired item.
- Press to ensure the selected item.

[ISR] button

- Recall ISR radio station in memory.
- Press and hold the button (2 sec.) to store current station into ISR memory (radio mode only).

[AUX], [USB] input jack

- Input jack for connecting external device.

[BAND] button

- Change bands.

[F-UP], [F-DN] buttons

- Select folders while in MP3/WMA/USB mode.

[▲] (EJECT) button

- Eject a disc when it is loaded into the unit.

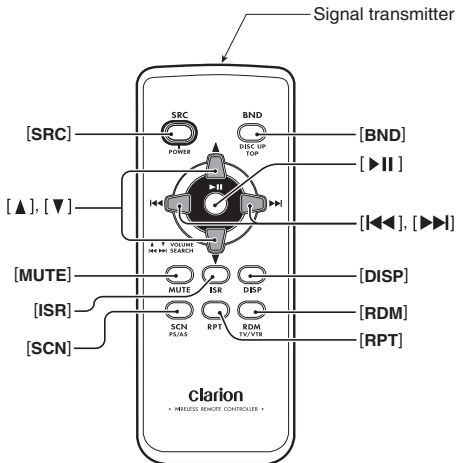
[CD SLOT]

- CD insertion slot.

4. REMOTE CONTROL

Functions of Remote Control Unit Buttons

* Some buttons on the remote control unit have different functions from the corresponding buttons on the main unit.



● Shared modes

[SRC] button

- Press the button to turn on the power.
Press and hold the button (1 sec.) to turn off the power.
- Use to alternate operation mode among the various modes.

[▲], [▼] buttons

- Increases and decreases volume.

[MUTE] button

- Turns mute function on and off.

[ISR] button

- Recalls ISR radio station stored in memory.
- Press and hold the button (2 sec.) to store current station in ISR memory (radio mode only).

[DISP] button

- Press to select the desired display.

● Radio/SIRIUS Satellite/HD Radio modes

[BND] button

- Switches reception band.

[<<<], [>>>] buttons

- Moves preset channels up and down.

[SCN] button

- Press to perform preset scan.
- Press and hold the button (2 sec.) to perform auto store.
- In the SIRIUS Satellite/HD Radio mode, press once to perform category scan; hold depressed (1 sec.) to perform preset scan.

● CD/MP3/WMA and USB modes

[<<<], [>>>] buttons

- Press to select tracks.
- Press and hold the button (1 sec.) to perform fast-forward/fast-reverse (Except DRM file).

[>||] button

- Switches between playback and pause.

[SCN] button

- Press to perform scan play.
- When in MP3/WMA and USB modes, press and hold the button (1 sec.) to perform folder scan play.

[RPT] button

- Press to perform repeat play.
- When in MP3/WMA and USB modes, press and hold the button (1 sec.) to perform folder repeat play.

[RDM] button

- Press to perform random play.
- When in MP3/WMA and USB modes, press and hold the button (1 sec.) to perform folder random play.

Functions of Remote Control Unit Buttons

● iPod mode

[◀◀], [▶▶] buttons

- Press to move the tracks up and down.
- Press and hold the button (1 sec.) to perform fast-forward/fast-reverse.

[▶||] button

- Switches between playback and pause.

[RPT] button

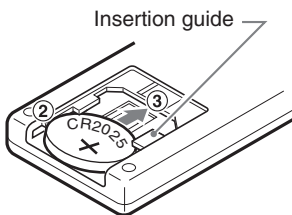
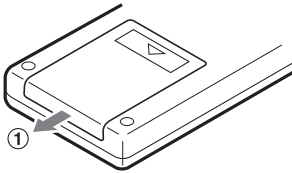
- Press to perform repeat play.

[RDM] button

- Press to perform random play.
- Press and hold the button (1 sec.) to perform all random play.

Inserting the Battery

- ① Turn over the remote control unit and slide the cover in the direction indicated by the arrow in the illustration.
- ② Insert the battery (CR2025) into the insertion guides, with the printed side (+) facing upwards.
- ③ Press the battery in the direction indicated by the arrow so that it slides into the compartment.
- ④ Replace the cover and slide in until it clicks into place.



Notes:

Misuse may result in rupture of the battery, producing leakage of fluid and resulting in personal injury or damage to surrounding materials. Always follow these safety precautions:

- Use only the designated battery.
- When replacing the battery, insert properly, with +/- polarities oriented correctly.
- Do not subject battery to heat, or dispose of in fire or water. Do not attempt to disassemble the battery.
- Dispose of used batteries properly.

5. OPERATIONS

Note:

- Be sure to read this chapter referring to the front diagrams of chapter "3. CONTROLS" on page 6.

Basic Operations

⚠ CAUTION

Be sure to lower the volume before switching off the unit power or the ignition key. The unit remembers its last volume setting.

Turning on/off the power

1. Press the [SOURCE] button to turn on the power.
2. Press and hold the [SOURCE] button (1 sec.) to turn off the power for the unit.

Selecting a mode

1. Press the [SOURCE] button to change the operation mode.
2. Each time you press the [SOURCE] button, the operation mode changes in the following order:

Tuner (HD Radio) → (SIRIUS Satellite radio)
 → CD/MP3 → USB/iPod → AUX →
 Tuner (HD Radio)...

- * iPod can connect to this unit via USB cable.
- * iPhone can also be connected to this system and "iPod" appearing in this manual should be referred to as "iPod/iPhone".

Adjusting the volume

1. Turning the [ROTARY] knob clockwise increases the volume; turning it counterclockwise decreases the volume.
 - * The volume level is from 0 (minimum) to 33 (maximum).

Switching the display

Press the [DISP] button to select the desired display.

Sound Adjustment

You can adjust a sound effect or tone quality to your preference.

To change sound setting

1. Press the [SOUND] button to switch to the sound adjustment selection display.
 - * The factory default sound setting is "BEAT EQ".
2. Then press the [◀◀] or [▶▶] button to select the sound adjustment mode. Each time you press the [◀◀] or [▶▶] button, the sound adjustment mode changes as following order:
 "BEAT EQ" ↔ "M-B EX" ↔ "BALANCE" ↔ "FADER" ↔ "LPF" ↔ "S-W VOL" ↔ "PHASE" ↔ "HPF"
 - * In the case of display blinking "ENT", you can press the [ROTARY] knob to adjust the setting value.
3. Turn the [ROTARY] knob to adjust the selected sound mode.
4. After completing settings, press the [SOUND] button to return to the previous mode.

● Setting the BEAT EQ

This unit is provided with 4 types of sound tone effects stored in memory.

Select the one you prefer.

- * The factory default setting is "OFF".

2-1. Select "BEAT EQ".

Basic Operations

3-1. Each time you turn the [ROTARY] knob, the tone effect changes in the following order:

“CUSTOM” ↔ “EXCITE” ↔ “IMPACT” ↔ “B-BOOST” ↔ “OFF”

CUSTOM : user custom

EXCITE : bass and treble emphasized
mid emphasized

IMPACT : bass and treble emphasized

B-BOOST : bass emphasized

OFF : no sound effect

When “CUSTOM” is set:

3-1. Press the [ROTARY] knob.

3-2. Press the [◀◀] or [▶▶] button to select the “BASS”, “MID” or “TREBLE” mode to adjust.

3-3. If you want to set the flat, press the [ROTARY] knob to return to the “CUSTOM” mode, then press and hold the [ROTARY] knob (1 sec.), bass/mid/treble characteristics become flat and switch to the “CUSTOM” mode.

When “EXCITE/IMPACT/B-BOOST” is set:

3-1. Press the [ROTARY] knob.

3-2. Turn the [ROTARY] knob to adjust the setting in the range of -3 to +3.

* The factory default setting is “0”.

3-3. Press the [ROTARY] knob to return to the previous mode.

● Adjusting the BASS/MID/TREBLE

This adjustment can be performed only when the BEAT EQ is set to “CUSTOM”.

Note:

• While connected with the external amplifiers, please do not set the “BASS/MID/TREBLE” in the maximum level. Otherwise the speakers may be damaged.

3-1. Press the [ROTARY] knob.

3-2. Turn the [ROTARY] knob to select as following order:

“BASS<G>” ↔ “BASS<F>” ↔
“BASS<Q>” ↔ “MID<G>” ↔ “MID<F>” ↔
“MID<Q>” ↔ “TREBLE<G>” ↔
“TREBLE<F>” ↔ “TREBLE<Q>”

* The factory default setting is “BASS<G>”.

3-3. Turn the [ROTARY] knob to select the setting.

BASS<G>:The factory default setting is “0”.
(Adjustment range: +7 to -7)

BASS<F>:The factory default setting is “50”.
(Adjustment range: 50/100/200)

BASS<Q>:The factory default setting is “1”.
(Adjustment range: 0.7/1/1.4/2)

MID<G> : The factory default setting is “0”.
(Adjustment range: +7 to -7)

MID<F> : The factory default setting is “500”.
(Adjustment range: 500/1K/2K)

MID<Q> : The factory default setting is “1”.
(Adjustment range: 0.7/1/1.4/2)

TREBLE<G>:The factory default setting is “0”.
(Adjustment range: +7 to -7)

TREBLE<F>:The factory default setting is “10K”.
(Adjustment range: 5K/10K/15K)

TREBLE<Q>:The factory default setting is “1”.
(Adjustment range: 0.7/1/1.4/2)

3-4. Press the [ROTARY] knob to return to the previous mode.

● Setting the MAGNA BASS EXTEND

The MAGNA BASS EXTEND does not adjust the low frequencies like the normal sound adjustment function, but emphasizes the deep bass frequencies to provide you with a dynamic sound.

* The factory default setting is “OFF” (off).

2-1. Select “M-B EX”.

3-1. Turn the [ROTARY] knob to select “ON” or “OFF”.

● Adjusting the balance

2-1. Select “BALANCE”.

3-1. Turn the [ROTARY] knob to adjust the balance of the right and left speakers.

* The factory default setting is “CENTER” (center). (Adjustment range: RIGHT12 to LEFT12 (right 12 to left 12))

● Adjusting the fader

2-1. Select “FADER”.

3-1. Turn the [ROTARY] knob to adjust the balance of the rear and front speakers.

* The factory default setting is “CENTER” (center). (Adjustment range: FRONT12 to REAR12 (front 12 to rear 12))

● Setting the subwoofer

You can set the low pass filter of subwoofer.

This adjustment can be performed only when the “REAR/S-W” is set to “S-WOOFER”.

2-1. Select “LPF”.

Basic Operations

3-1. Each time you turn the [ROTARY] knob to select the setting, the setting changes in the following order:

“THROUGH” ↔ “60” ↔ “90” ↔ “120”

* The factory default setting is “THROUGH”.

● Adjusting the subwoofer output volume

You can adjust the volume output from the unit's subwoofer output terminal.

This adjustment can be performed only when the “REAR/S-W” is set to “S-WOOFER”.

2-1. Select “S-W VOL”.

3-1. Turn the [ROTARY] knob to increase or decrease the subwoofer volume.

* The factory default setting is “0”.
(Adjustment range: +6 to -6)

● Setting the phase

This set can be performed only when the “REAR/S-W” is set to “S-WOOFER”.

2-1. Select “PHASE”.

3-1. Turn the [ROTARY] knob to select as following order:

“NORMAL” ↔ “REVERSE”

* The factory default setting is “NORMAL”.

● Adjusting the high pass filter

2-1. Select “HPF”.

3-1. Each time you turn the [ROTARY] knob to select the setting, the setting changes in the following order:

“THROUGH” ↔ “60” ↔ “90” ↔ “120”

* The factory default setting is “THROUGH” (through).

Note:

- During SOUND adjustment mode, if no operation is performed for more than 10 seconds, this mode can be cancelled and return to previous mode.

Radio Operations

Listening to the radio

1. Press the **[SOURCE]** button and select the radio mode.
2. Press the **[BAND]** button and select the radio band. Each time the button is pressed, the radio reception band changes in the following order:
FM1 → FM2 → FM3 → AM → FM1...

Tuning

There are 2 types of tuning mode available, auto tuning and step tuning.

● Auto tuning

Press and hold the **[◀◀]** or **[▶▶]** button (1 sec.) to automatically seek a station.

● Step tuning

Press the **[◀◀]** or **[▶▶]** button to manually tune in a station.

Recalling a preset station

A total of 24 preset positions (6-FM1, 6-FM2, 6-FM3, 6-AM) exists to store individual radio stations in memory. Press the corresponding **[DIRECT]** button to recall the stored radio frequency automatically.

Manual memory

1. Select the desired station with seek tuning or manual tuning.
2. Press and hold one of the **[DIRECT]** buttons (2 sec.) to store the current station into preset memory.

Auto store

Auto store is a function for storing up to 6 stations that are automatically tuned in sequentially. If 6 receivable stations cannot be received, a previously stored station remains unoverwritten at the memory position.

1. Press the **[BAND]** button and select the desired band (FM or AM).
2. Press and hold the **[▶||]** button for 2 seconds or longer. The stations with good reception are stored automatically to the preset channels.

* If auto store is performed in the FM bands, the stations are stored in FM3 even if FM1 or FM2 was chosen for storing stations.

Preset scan

Preset scan receives the stations stored in preset memory in order. This function is useful when searching for a desired station in memory.

1. Press the **[▶||]** button.
2. When a desired station is tuned in, press the **[▶||]** button again to continue receiving that station.

Note:

• *Be careful not to press and hold the **[▶||]** button (2 sec.), otherwise the auto store function is engaged and the unit starts storing stations.*

Instant station recall (ISR)

Instant station recall is a special radio preset that instantly accesses a favorite radio station at a touch of a button. The ISR function even operates with the unit in other modes.

● ISR memory

1. Select the station that you wish to store in ISR memory.
2. Press and hold the **[ISR]** button (2 sec.).

● Recalling a station with ISR

In any mode, press the **[ISR]** button to turn on the radio function and tune the selected radio station. "ISR" appears in the display. Press the **[ISR]** button again to return to the previous mode.

SIRIUS Satellite Radio Operations

This function is available when this unit is connected to the SCC1, SiriusConnect Vehicle Tuner, (sold separately) with the SIRIUS SSP cable.

Selecting a Satellite Radio mode

1. Press the [SOURCE] button.
The system changes to the specified Satellite Radio mode.

Selecting a band

1. Press the [BAND] button to select a band.
This changes the reception band as follows:
SR1 → SR2 → SR3...

● Information displayed during reception

The following information is displayed when the satellite radio cannot be received normally.

- When the tuner is not being connected: “**NO TUNER**”.
 - * In this time, please turn off the power and connect the tuner to this unit.
- When the antenna is not being received: “**ANTENNA ERROR**”.
- When no signal is received: “**NO SIG**”.
- When the contract of the channel is being updated: “**SUB UPDT**”.
- When the channel map is being updated: “**UPDATING**”.
- A channel without a broadcast has been selected: “**INVALID CH**”.
- A channel not covered by your contract: “**UNSUB CH**” (alternated)
- When simulate firmware update: “**F/W UPDATE**”.

Confirming your SIRIUS ID

1. Switch to channel 0.
 - * For details, see the following operation descriptions.
2. The SIRIUS ID appears in the display.

Displaying channel labels

1. Press the [DISP] button to select the desired channel label.
Channel → Category → Title (Artist) →
Composer → Channel...

Channel input directly

This function allows you to input the channel No. directly.

1. Press and hold the [DISP] button.
2. Press the [◀◀] or [▶▶] button to select “**DIRECT**”.
3. Press the [ROTARY] knob.
4. Press the [◀◀] or [▶▶] button to move the cursor.
5. Turn the [ROTARY] knob to select a number.
6. Press and hold the [ROTARY] knob.

Notes:

- If no operation is performed within 10 seconds, it will return to the previous mode.
- If you select the Parental Locked channel, the “**CH LCKED**” will appear in the display for 2 sec. Then it will remind you to enter the password (For details, see the chapter “**Parental Lock function**” (page 14)).

Channel selection

1. Channels are selected with the [◀◀] or [▶▶] button.
 - * For details, see the following operation descriptions.

Notes:

- The audio output is muted and other button operations are not accepted during channel selection.
- The Parental Locked, unsubscribed and invalid channels will be skipped and can not be tuned.

Recalling a preset station

A total of 18 satellite radio stations can be stored.

6-SR1, 6-SR2 and 6-SR3

This allows you to store your favorite satellite radio stations in memory for later recall.

1. Press the [BAND] button to select the desired band.
2. Turn the [ROTARY] knob to select the desired preset station.

Preset memory

1. Press the [BAND] button to select the desired band.
2. Select the desired channel.
3. Press and hold the [DIRECT] button (2 sec.) to store the current channel into preset memory.

Receiving stations selected by category

Satellite Radio allows you to select broadcast channel category (contents).

1. Press and hold the **[BAND]** button (1 sec.) to select the category selection mode.
 - * If press and hold once again, return to the channel selection mode.
2. Turn the **[ROTARY]** knob to change the category item.
3. Press the **[◀◀]** or **[▶▶]** button to tune in a station.
 - * If press and hold the **[◀◀]** or **[▶▶]** button, it will quick tune a channel in the current category.
 - * If turn the **[ROTARY]** knob, it will tune the first channel in the next or last category.

Notes:

- When the category selection mode is entered, the category of the last received channel is displayed first.
- If no operation is performed within 10 seconds, the category selection mode is canceled, and resumes to the channel mode.

Presetting a category

A category can be preset by registering specific categories in **[DIRECT]** buttons 1 to 6. Then the desired category can be recalled by pressing the corresponding **[DIRECT]** button.

1. Press and hold the **[BAND]** button (1 sec.) to enter the category mode.
2. Turn the **[ROTARY]** knob to select a category.
3. Press and hold one of the **[DIRECT]** buttons for 2 seconds or longer to store the current category into preset memory.

Notes:

- When the name of a channel stored in memory is changed by a broadcasting channel, the display may show a channel name that differs from the stored name.
- A channel stored in memory may be discontinued at the option of the broadcasting channel.
- If no operation is performed for more than 1 second, category seek tuning can automatically tune in a receivable broadcast channel category.

Scan function

There are two scan modes: the category scan mode and the preset scan mode.

During scanning channels are displayed in abbreviated form, the display mode cannot be switched.

● Preset scan (PRESET SCN)

A preset scan scans the channels (up to 18 channels) stored in the preset memory about every 10 seconds.

* This function is available in the channel selection mode.

Press the **[▶||]** button. And start the preset scanning.

● Category scan (CAT SCN)

In a category scan, broadcast channels in the same category as the current channel are selected about every 10 seconds.

* This function is available in the category selection mode.

Press the **[▶||]** button. And start the category scanning.

Note:

- Category scanning is not available when no category is defined for the current channel.

Parental Lock function

This function allows you to set a listening limitation level.

This setting is possible only when a password is entered.

● Setting the Password

* The factory default setting is "0000".

1. Press and hold the **[DISP]** button.
2. Press the **[◀◀]** or **[▶▶]** button to select "PARENTAL PASSWORD".
3. Press the **[ROTARY]** knob.
4. Input the old password.
 - 4-1. Press the **[◀◀]** or **[▶▶]** button to move the cursor.
 - 4-2. Turn the **[ROTARY]** knob to select a number.
 - 4-3. Press and hold the **[ROTARY]** knob.
5. Input a new password. Repeat step 4-1 to 4-3.
6. Input the new password again. Repeat step 4-1 to 4-3.

Note:

- If you forget the password, you can do the following operations:
 - * Input the old and new password with "4356", and it will return to the factory default setting "0000".
 - * Input the old password with "4356", and then operate step 5-6.

● Locking Channel

1. Select a desired channel.
2. Press and hold the [DISP] button.
3. Press the [◀◀] or [▶▶] button to select "LOCK CH".
4. Press the [ROTARY] knob.
5. Input the right password.
 - 5-1. Press the [◀◀] or [▶▶] button to move the cursor.
 - 5-2. Turn the [ROTARY] knob to select a number.
6. Press and hold the [ROTARY] knob.

● Unlocking the Channel

1. Select the locked channel through inputting channel No. directly.
2. Press and hold the [DISP] button.
3. Press the [◀◀] or [▶▶] button to select "UNLOCKCH".
4. Press the [ROTARY] knob.
5. Input the right password.
 - 5-1. Press the [◀◀] or [▶▶] button to move the cursor.
 - 5-2. Turn the [ROTARY] knob to select a number.
6. Press and hold the [ROTARY] knob.

● Unlocking All Channel

1. Press and hold the [DISP] button.
2. Press the [◀◀] or [▶▶] button to select "UNLOCK ALL CH".
3. Press the [ROTARY] knob.
4. Input the right password.
 - 4-1. Press the [◀◀] or [▶▶] button to move the cursor.
 - 4-2. Turn the [ROTARY] knob to select a number.
5. Press and hold the [ROTARY] knob.

Unskip all channel function

This function allows you to unskip the skipped channel.

1. Press and hold the [DISP] button.
2. Press the [◀◀] or [▶▶] button to select "UNSKIP ALL CH".
3. Press and hold the [ROTARY] knob.

HD Radio Operations

About HD Radio™ Technology

HD Radio Technology allows CD-quality digital broadcasting of your local AM and FM radio stations. HD Radio broadcasts can include multiple channels on the same frequency, which is called multicasting. With multicasting, you can receive up to eight additional multicast channels: HD1-HD8. With an HD Radio tuner connected, you will receive HD Radio digital broadcasts automatically when tuned to a station that offers HD Radio Technology.

Note:

- Not all FM or AM stations offer HD Radio (digital) broadcasting. You can receive both analog and digital stations with the unit.
- The following operations are the same as for CD mode:
 - * **Seek tuning**
 - * **Manual memory**
 - * **Auto store**
 - * **Preset scan**
 - * **Instant station recall (ISR)**

See “Radio Operations” (page 12) for details.

Selecting a HD Radio mode

1. Press the [SOURCE] button.

The system will switch to the RADIO source, when a THD300 or THD301 is connected.

When the present channel is HD Radio digital broadcasts the HD icon will light.

HD Radio multicast channels

To tune to an HD Radio multicast channel, tune to the main signal.

1. Press and hold the [BAND] button (1 sec.). PTY is displayed.
2. Turn the [ROTARY] knob to select PTY or SUB CH.
 - * PTY: Program type
 - * SUB CH: Sub channel
3. Press the [ROTARY] knob.

Note:

- Multi channel is available when a digital signal is detected, the DIGITAL icon will light. If the digital signal becomes unavailable, the unit will revert to Analog reception.

Recalling a preset station

Up to six stations on each band can be stored. This allows you to store your favorite HD Radio stations in memory for later recall.

1. Press the [BAND] button to select the desired band.
2. Press the [DIRECT] buttons to select the desired preset station.

Note:

- Multicast stations can be stored as presets, but the unit must be in Digital or Auto reception mode to receive them.

The CX201 offers iTunes® Tagging, which allows the user to “**Tag**” songs playing on HD Radio™ stations for purchase later through iTunes. When you press and hold the [SOUND] button (2 sec.), the unit stores the title and artist song information that can then be transferred to your iPod when connected to the unit. A list titled “**Tagged**” will appear in iTunes, allowing you the option to purchase your tagged songs.

Note:

- “**iTunes Tagging**” function works by connecting THD300/THD301 (sold separately).

iPod compatibility

For detailed information on the playable iPod models, see our home page: www.clarion.com.

Note:

- This system will not operate or may operate improperly with unsupported versions.

Tagging music

Tune to an HD Radio to begin tagging music. When a digital station is being received, the DIGITAL icon at the display will be illuminated. TAG icon lights up when Tagging function is ready.

1. Press and hold the [SOUND] button (2 sec.). “**STORE##/64**” will appear in the display. The song information is saved to the unit memory until an iPod is connected. You can tag up to 64 songs before the tags must be transferred to an iPod or deleted. When the Tag memory reaches capacity (64 tags), the bottom of the screen displays “**MEMO FULL**”. The TAG Messages are as follows:

| Tag Message | Reason |
|-------------|---|
| STORE ##/64 | If the Tags data is ready, and the [SOUND] button is pressed and held (2 sec.). |
| SENDING ## | Tags data is sending to iPod. |
| MEMO FULL | Tag storage is full. |
| DEFFICIENT | Tag data is not available. |
| IPOD FULL | iPod memory is full. |
| NOT SUPPORT | The THD300/THD301 has the Tagging information, but the connected iPod don't support the Tagging function. |

Notes:

- Proper tagging depends on good radio reception. If the reception is poor, tagging will be affected.
- Tags saved to your iPod can be managed using the iTunes software, available at www.apple.com/iTunes.

Downloading tags to your iPod

Plug an iPod into the unit to download tags to your iPod. All existing tags are automatically transferred to the iPod and deleted from the head unit's memory. If an iPod is connected and a song is tagged, the Tag will be immediately transferred to the iPod.

Note:

- When transferring Tags to an iPod, the unit must remain in Radio mode. To purchase tagged songs, you must sync your iPod to iTunes and then click the “**Tagged**” list on the left side of the iTunes software screen. Click the “**view**” button for purchasing information.

Notes:

- How to enter the iTunes tagging function?
“**TAG**” and “**DIGITAL**” light up when Tagging function is ready, Press and hold the [SOUND] button (2 sec.) to start iTunes Tagging.
- What is seen on the radio's display to let me know I have tagged the tune?
Press the [SOUND] button to show “**STORE##64**”. After connect to an iPod, the display shows “**SENDING 01**”.
If no connection with iPod, the display will show “**STORE##64**”. You could save 64 Tag into E2PROM in total. When you connect to an iPod, tag information will be saved in the iPod, and the data in E2PROM will be cleared.
- Then how do I get tagged tune from my iPod to the computer?
If you have installed iTunes, connect your iPod to your computer and buy songs online.

CD/MP3/WMA Operations

MP3/WMA

This unit can play back MP3/WMA files.

Note:

- If you play a file with DRM (Digital Rights Management) for WMA remaining ON, no audio is output (The WMA indicator blinks).

● To disable DRM (Digital Rights Management)

1. When using Windows Media Player 9/10/11, click on TOOL → OPTIONS → MUSIC RECORD tab, then under Recording settings, unclick the Check box for RECORD PROTECTED MUSIC. Then, reconstruct files.

Personally constructed WMA files are used at your own responsibility.

Precautions when creating MP3/WMA file

● Usable sampling rates and bit rates

1. MP3: Sampling rate 8 kHz-48 kHz,
Bit rate 8 kbps-320 kbps / VBR
2. WMA: Bit rate 5 kbps-320 kbps

● File extensions

1. Always add a file extension “.MP3” or “.WMA” to MP3 or WMA file by using single byte letters. If you add a file extension other than specified or forget to add the file extension, the file cannot be played.
2. Files without MP3/WMA data will not play. Instead, “- - : -” will appear in the play time display.

* When MP3/WMA files are played, a little no sound part is caused between tunes.

● Logical format (File system)

1. When writing MP3/WMA file on a CD-R disc or CD-RW disc, please select “ISO9660 level 1, 2 or JOLIET or Romeo” or APPLE ISO as the writing software format. Normal play may not be possible if the disc is recorded on another format.
2. The folder name and file name can be displayed as the title during MP3/WMA play but the title must be within 64 single byte alphabetical letters and numerals (including an extension).
3. Do not affix a name to a file inside a folder having the same name.

● Number of files or folders

1. Up to 256 files can be recognized per folder. Up to 999 files can be played.
2. Tracks are played in the order that they were recorded onto a disc. (Tracks might not always be played in the order displayed on the PC.)
3. Some noise may occur depending on the type of encoder software used while recording.

Disc-In-Play function

As long as the ignition key is turned to the ON or ACC position, this function allows you to turn the power to the unit and start playing the disc automatically when the disc is inserted even if the power is not turned on.

⚠ CAUTION

- Do not try to put your hand or fingers in the disc insertion slot. Also never insert foreign objects into the slot.
- Do not insert discs where adhesive comes out from cellophane tape or a rental CD label, or discs with marks where cellophane tape or rental CD labels were removed. It may be impossible to extract these discs from the unit and they may cause the unit to break down.

Backup Eject function

Just pressing the [▲] button, ejects the disc even if the power to the unit was not turned on. Press the [EJECT] button. Remove the disc after it is ejected.

Notes:

- If a CD (12 cm) is left in the ejected position for 15 seconds, the CD is automatically reloaded (Auto reload).
- If you force a CD into before auto reloading, this can damage the CD.

Listening to a disc already loaded in the unit

Press the [SOURCE] button to select the CD/MP3/WMA mode.

When the unit enters the CD/MP3/WMA mode, play starts automatically.



If there is no disc loaded, the indication "NO DISC" appears in the title display.

Loading a CD

Insert a CD into the center of the CD SLOT with the labeled side facing up. "LOADING" appears in the display, the CD enters into the slot, and the play starts.

Notes:

- Never insert foreign objects into the CD SLOT.

- If the CD is not inserted easily, there may be another CD in the mechanism or the unit may require service.
- Discs not bearing the  or  mark and CD-ROMs cannot be played by this unit.
- Some CDs recorded in CD-R/CD-RW mode may not be usable.

Pausing play

1. Press the [▶||] button to pause play. "PAUSE" appears in the display.
2. To resume CD play, press the [▶||] button again.

Displaying CD titles

This unit can display title data for CD-text/MP3/WMA disc and user titles input with this unit.

1. Each time you press the [DISP] button to change the title display.

● CD-TEXT disc

Track → Disc/Artist → Clock → Track ...

● MP3/WMA disc

Track → Folder → Title/Album → Artist → Clock → Track ...

Notes:

- If the CD playing is not a CD-text CD or no user title has been input, "NO TITLE" appears in the display.
- If MP3/WMA disc is not input TAG, "NO TITLE" appears in the display.
- For MP3, supports ID3 Tags V2.3 / 2.2 / 1.1 / 1.0.
- Tag displays give priority to V2.3 / 2.2.
- In the case of album Tags for WMA, the information written into the extension header is displayed.
- Only ASCII characters can be displayed in Tags.

Selecting a track

● Track-up

1. Press the [▶▶] button to move ahead to the beginning of the next track.
2. Each time you press the [▶▶] button, the track advances ahead to the beginning of the next track.

● Track-down

1. Press the [◀◀] button to move back to the beginning of the current track.
2. Press the [◀◀] button twice to move back to the beginning of the previous track.

CD/MP3/WMA Operations

Fast-forward/fast-reverse

● Fast-forward

1. Press and hold the [▶▶] button (1 sec.).

● Fast-reverse

1. Press and hold the [◀◀] button (1 sec.).

* For MP3/WMA discs, it takes some time until the start of searching and between tracks. In addition, the playing time may have a margin of error.

Folder Select

This function allows you to select a folder containing MP3/WMA files and start playing from the first track in the folder.

1. Press the [F-UP] or [F-DN] button.
Press the [F-UP] button to move the next folder. Press the [F-DN] button to move the previous folder.
2. To select a track, press the [◀◀] or [▶▶] button.

Other various play functions

● Scan play

This function allows you to locate and play the first 10 seconds of all the tracks recorded on a disc.

1. Press the [SCN] button to perform scan play.

● Folder scan play

This function allows you to locate and play the first 10 seconds of the first track of all the folders on an MP3/WMA disc.

1. Press and hold the [SCN] button (1 sec.) to perform folder scan play.

● Repeat play

This function allows you to play the current track repeatedly.

1. Press the [RPT] button to perform repeat play.

● Folder repeat play

This function allows you to play a track currently being played in the MP3/WMA folder repeatedly.

1. Press and hold the [RPT] button (1 sec.) to perform folder repeat play.

● Random play

This function allows you to play all tracks recorded on a disc in a random order.

1. Press the [RDM] button to perform random play.

● Folder random play

This function allows you to play all the tracks of all the folders recorded on an MP3/WMA disc in a random order.

1. Press and hold the [RDM] button (1 sec.) to perform folder random play.

● To cancel play

1. Press the operating button previously selected.

* The various play mode is canceled and the various play off mode appears in the display for 2 seconds.

To change adjustment setting

1. Press and hold the [DISP] button (1 sec.) to switch to the adjustment selection display.

2. Press the [◀◀] or [▶▶] button to select the "item name".

"CLOCK" ↔ "CONTRAST" ↔ "CODE" ↔

"SCRN SVR" ↔ "SCROLL" ↔

"DIMMER" ↔ "BLINKLED" ↔

"REAR/S-W" ↔ "INT-SW" ↔ "RESET"

3. Turn the [ROTARY] knob to select the "desired setting value".

* In the case of display blinking "ENT", you can press the [ROTARY] knob to adjust the setting value.

* After completing settings, press the [DISP] button to return to the previous mode.

● Setting the clock

2-1. Select "CLOCK".

3-1. Press the [ROTARY] knob.

3-2. Press the [◀◀] or [▶▶] button to select the hour or the minute.

3-3. Turn the [ROTARY] knob to set the correct time.

* The clock is displayed in 12-hour format.

3-4. Press the [ROTARY] knob to store the time into memory.

Note:

• You cannot set the clock when it is displayed with only the ignition on. If you drain or remove the car's battery or take out this unit, the clock is reset. While setting the clock, if another button or operation is selected, the clock set mode is canceled.

● Setting the contrast

You can adjust the display contrast to match the angle of installation of the unit.

* The factory default setting is "10".
(Adjustment level: 1 to 16)

2-1. Select "CONTRAST".

3-1. Turn the [ROTARY] knob to adjust the contrast.

● Setting the anti-theft function (CATS)

"CATS" is the acronym of "Clarion Anti-Theft System". When you set a PIN code (called as "Personal Code"), a theft is prevented by disabling the operation of the unit at the theft.

• Setting your Personal Code

2-1. Select "CODE".

3-1. Press the [ROTARY] knob.

The set personal code screen appears.

4-1. Press the [DIRECT] buttons [1]-[6] to enter your desired 4-digit Personal Code.

5-1. Press and hold the [ROTARY] knob (2 sec.).

The entered Personal Code will be set, and it will return to the previous screen.

Note:

• Write down your Personal Code in case you forget it.

• Erasing the Personal Code

2-1. Select "CODE".

3-1. Press the [ROTARY] knob.

The ERASE PERSONAL CODE screen appears.

4-1. Enter the Personal Code currently.

5-1. Press and hold the [ROTARY] knob (2 sec.) or longer.

Entering a Personal Code mode is cancelled.

Operations Common to Each Mode

● When the ENTER PERSONAL CODE screen appears

The ENTER PERSONAL CODE screen will be displayed when turning the ACC power on after performing the following operations:

- The car battery was replaced.
- The backup power was cut off.
- The [RESET] button was pressed.

Notes:

• If you have lost your Personal Code, please contact Clarion customer service.

1. Enter your Personal Code currently set.
2. When the correct Personal Code is entered, the unit will restart from the initial startup screen.

Notes:

• When you enter a wrong Personal Code, the message "LOCK - - -" is displayed and the Personal Code entry is prohibited for a while. This prohibited time is changed according to the number of times of wrong code entry as follows:

- 1 to 6 times: 15 seconds
- 7 times or more: 15 minutes

● Turning the screen saver function on or off

This unit is provided with the screen saver function which allows you to show various kinds of patterns and characters in the operation status indication area of the display in a random order. You can turn on or off this function. If the button operation is performed with the screen saver function on, the operation display corresponding to the button operation is shown for about 30 seconds and the display returns to the screen saver display.

* The factory default setting is "ON".

- 2-1. Select "SCRN SVR".
- 3-1. Turn the [ROTARY] knob to select the setting.
Each time you turn the [ROTARY] knob, the setting changes in the following order:
"OFF" ↔ "ON"

● Setting the method for title scroll

Set how to scroll in CD-TEXT, MP3/WMA title.

* The factory default setting is "ON".

- 2-1. Select "SCROLL".
- 3-1. Turn the [ROTARY] knob to select "ON" or "OFF".
 - ON:
To scroll automatically.
 - OFF:
To scroll just 1 time.

● Setting the dimmer control

You can set the dimmer control "ON" or "OFF".

* The factory default setting is "ON".

- 2-1. Select "DIMMER".
- 3-1. Turn the [ROTARY] knob to select "ON" or "OFF".

● Anti-theft indicator

The red Anti-theft indicator is a function for preventing theft. When the ACC is off, this indicator blinks.

* The factory default setting is "OFF".

- 2-1. Select "BLINKLED".
- 3-1. Turn the [ROTARY] knob to select "ON" or "OFF".

● Selecting Rear or Subwoofer

* The factory default setting is "REAR".

- 2-1. Select "REAR/S-W".
- 3-1. Turn the [ROTARY] knob to select "REAR" or "S-WOOFER".

● Cellular phone interrupt setting

If you connect this unit and your cellular phone with a separately sold cable, you can listen to your telephone calls on your car speakers.

* The factory default setting is "OFF".

- 2-1. Select "INT-SW".
- 3-1. Turn the [ROTARY] knob to select the setting. Each time you turn the [ROTARY] knob, the setting changes in the following order:
"OFF" ↔ "MUTE"
 - OFF:
This unit continues normal operation even when the cellular phone is used.
 - MUTE:
The sound from this unit is muted during telephone calls.

Operations Common to Each Mode

● Performing memory reset

This function allows you to reset adjusted settings in the memory. The stored settings like last operation mode, volume setting, preset channels, MAGNA BASS EXTEND setting, adjust mode settings and sound mode settings can be formatted by this function.

Note:

- The settings will remain in the memory even if you turn the power off or press the reset button.

2-1. Select “**RESET**”.

3-1. Press and hold the [**ROTARY**] knob (1 sec.).

“**RESET**” appears in the display, then the unit will be restarted automatically and the memory will be cleared.

AUX function

This system has an external input jack on the front panel so you can listen to sounds and music from external devices connected to this unit.

● Selecting AUX IN sensitivity

Make the following settings to select the sensitivity when sounds from external devices connected to this unit are difficult to hear even after adjusting the volume.

* The factory default setting is “**MID**”.

1. Press and hold the [**DISP**] button (1 sec.).
2. Select “**AUX SENS**”.
3. Turn the [**ROTARY**] knob to select “**HIGH**”, “**MID**” or “**LOW**”.

Note:

- When **AUX** mode is selected, **AUX IN** sensitivity can be set.

6. ACCESSORIES

USB Operations

USB memory device operation

Note:

- The following operations are the same as for CD mode:
 - *Pause
 - *Track selection
 - *Fast-forward/fast-backward (Except DRM file)
 - *Scan play
 - *Repeat play
 - *Random play
 - *Folder selection
- See “CD/MP3/WMA Operations” (pages 18-20) for details.

About USB memory

- USB is an acronym for Universal Serial Bus, and refers to an external bus standard supporting data transfer rates of 12 Mbps.
- This unit is compatible with USB 1.1/2.0 with maximum data transfer rates of 12 Mbps.
- USB memory devices that can be played by connecting to the unit’s USB cable are limited to those recognized as “USB mass storage class devices”; operation is not guaranteed with all USB memory devices.
 - * Devices compatible with “USB Mass Storage Class” can be used merely by connecting to the host device, without need for special drivers or application software.
- Consult the manufacturer of your USB memory device for information regarding whether it is supported by “USB Mass Storage Class” standards.
- Audio files playable on this unit are limited to MP3/WMA files. For details, see the section “MP3/WMA” (page 18).
Copy-protected WMA files cannot be played on this unit.
- The Podcast files of iTunes Store that stored in the USB memory device can not be played. Besides, the data that edit through some softs such as the Tag edit soft may not be played.
- To prevent the accidental loss of data, always back up important data on your computer.
- This unit does not support connections to a computer. In addition, connections made through a USB hub device are also not supported.

- When a USB memory device is composed of two or more drives, only one of the drives will be detected.
- USB memory devices with security functions cannot be played.
- The order in which tracks are recorded may differ depending on the USB memory device connected (the actual playback order may not be the same as that indicated on your computer’s display).

CAUTION

- **Insert and remove a USB memory device only when the device is not being accessed. Connecting or disconnecting the device at the following times may result in the loss of data:**
 - If the USB memory device is removed or power is disconnected during writing to the device.
 - When the device is subjected to static electricity or electric noise.
- **Do not leave a USB memory device unattended in an automobile. Exposure to direct sunlight or high temperatures may cause deformation or other malfunction of the USB memory device.**

Connecting a USB memory device

1. Connect the USB memory device to the USB connector.

Playback will begin from the first file recorded on the device.

- * When a USB device is connected, it will switch to USB mode automatically. If the device is not recognized, press the [SOURCE] button to switch the source to the device.
- * Always insert the device fully into the connector. Incomplete connections may cause the device not to be recognized.
- * Depending on the number of tracks recorded, some amount of time may be required until all tracks are read into the unit.
- * The order in which tracks are recorded may differ depending on the device connected (the actual playback order may not be the same as that indicated on your computer's display).

To listen to tracks on a connected USB memory device

1. Press the [SOURCE] button to switch the source. When USB memory device is selected, playback (except DRM files) will begin from the location at which playback was previously stopped.
 - * When a USB memory device is connected, the USB mode will be displayed.
 - * When a USB memory device is disconnected and then reconnected, playback will begin from the beginning of the USB memory device.

To stop play

1. Press the [SOURCE] button and switch the function to a source other than the USB memory.

CAUTION

Do not remove the USB memory device when the USB mode is selected, since it may result in loss or damage to data on the USB memory device.

Always backup and save important data on your computer.

2. Remove the USB memory device from the USB connector.

iPod/iPhone Operations

This section describes operations when connected to an Apple iPod via the USB cable. iPod can be connected by using the connector cable supplied with the iPod, but in this case, you can enjoy its audio sound only. To enjoy video movies stored in the iPod with video displaying them on this unit, it is required to use the special monitor and connector cable (CCA-723/CCA-748) separately sold.

Notes:

- See the iPod Owner's Manual for details regarding operation conditions.
- The unit will not operate, or may operate improperly with unsupported versions.
- For a list of compatible Apple iPod unit with this model, please contact your Clarion dealer or www.clarion.com.

Connecting an iPod

When an iPod is connected to the USB slot, "Shuffle" set on the iPod will become as follows:

- "Shuffle (Albums)" play → Random play
- "Shuffle (Songs)" play → All random play

The iPod has two modes, the "Play mode" and the "iPod menu mode" for selecting tracks.

Switch between these modes by pressing the [BAND] button (1 sec.).

Note:

- To connect iPod, please use the USB cable attached in iPod.

Select iPod mode

1. Press the [SOURCE] button.
Playback will begin from the last file that was played on the iPod.

Notes:

- The following operations in Play mode operate the same as in CD mode:
 - *Track selection: [◀◀], [▶▶]
 - *Fast-forward/fast-reverse: [◀◀◀], [▶▶▶]
 - *Pause: [▶||]
- See "CD/MP3/WMA Operations" (pages 18-20) for details.
- After a Podcast file has completed playback, the pause display, or the track-end position Play-Time display will appear. At that time, select a music file once again.

Setting iPod simple mode

Use this function if you wish to operate through your iPod connected to this unit via the USB cable.

* The factory default setting is "OFF".

1. Press and hold the [DISP] button (1 sec.).
2. Press [◀◀] or [▶▶] to select "S-CTRL".
3. Press the [ROTARY] knob.
4. Turn the [ROTARY] knob to select "ON" or "OFF".
 - **ON:** Operations can be made through your iPod.
 - **OFF:** Operations cannot be made through your iPod.
5. Press and hold the [ROTARY] knob (1 sec.) to store the setting and return to the previous mode.

Notes:

- When performing iPod operations using simple control mode, make the operations slowly. If repetitive operations are performed too quickly, unforeseen errors may occur.
- When performing iPod operations using simple control mode, please do not operate the iPod and the unit at the same time, otherwise there may be unexpected event happened.
- Some iPod models do not support this function. Consult your nearest Clarion dealer or website to confirm which models do not support this function.

Other various play functions (in Play mode)

Notes:

- These functions are not supported when in the iPod menu mode.
- The Random function set on the iPod remains the same after attachment/detachment of the iPod.
- The Repeat function on the iPod will be changed when you connect/disconnect the iPod to the unit.

● Repeat play

Play back one track repeatedly.

1. Press the [RPT] button.

● Random play

Play all albums within a selected category, in random order. (Corresponds to “Shuffle (Albums)” command on iPod.)

1. Press the [RDM] button.

● All random play

Play all tracks within a selected category, in random order. (Corresponds to “Shuffle (Songs)” command on iPod.)

1. Press and hold the [RDM] button (1 sec.).

● To cancel play

1. Press the same play button once again.

Notes:

- When the repeat play mode is canceled, after playing all tracks within a selected category, playback will begin from the first track in the selected category.
- When playing the last track within a selected category in Random mode, if ACC is switched off then on again, playback will begin from a different track.
- Though the default setting of an iPod is “All Repeat”, the indication on the mode status is not displayed.
- When performing operations using simple control mode, do not set the repeat off on the iPod.

Selecting category from the iPod menu

1. Press the [BAND] button (1 sec.) to select the iPod menu mode.
The iPod menu categories will be displayed.

Notes:

- Repeat and Random mode operations are not supported when in the iPod menu mode.
 - In iPod menu mode, if you press the [◀◀]/[▶▶] button or turn the [ROTARY] knob fast, playback may not be performed.
2. Turn the [ROTARY] knob to select “Music” or “Video”.
 3. Press the [ROTARY] knob.
 4. Turn the [ROTARY] knob to switch between categories.
The iPod menu categories alternate in the following order:

- In the Music mode:
“PLAYLISTS” ↔ “ARTISTS” ↔ “ALBUMS”
↔ “SONGS” ↔ “GENRES” ↔
“COMPOSERS”...
- In the Video mode:
“MOVIES” ↔ “MUSIC VIDEOS” ↔
“TV SHOWS” ↔ “VIDEO PODCASTS” ↔
“RENTALS”

Notes:

The iPod menu mode can be canceled by performing one of the following operations:

- Press the [BAND] button.
 - When the category select screen is displayed, press the [ROTARY] knob.
5. Press the [ROTARY] knob to select the category.
 6. When the track name display is showing, press the [ROTARY] knob.
Playback will begin from the first track in the selected category, and the iPod menu mode will be canceled.
* Subfolders may be displayed, depending on the category.
In this case, turn the [ROTARY] knob to switch between subfolders, then press the [ROTARY] knob to select the desired subfolder.
* When the track name display is showing, pressing the [◀◀] button will return to the currently playing folder name display.
 7. Turn the [ROTARY] knob to select a track within a category.

iPod/iPhone Operations

iPod menu alphabet search

This function searches the subfolders for desired alphabetical letters.

1. Press the **[BAND]** button to select the iPod menu mode.
2. Turn the **[ROTARY]** knob to switch between categories.
3. Press the **[ROTARY]** knob.
 - * Subfolders may be displayed, depending on the category.
In this case, you can turn the **[ROTARY]** knob to switch between subfolders and press the **[ROTARY]** knob to enter the next subfolder layer.
4. Press and hold the **[ROTARY]** knob (1 sec.).
5. Turn the **[ROTARY]** knob to select the desired letter to search.
6. Press the **[ROTARY]** knob to perform search.
 - * During search, press the **[ROTARY]** knob to cancel search.
7. Press the **[ROTARY]** knob on the song list to select song.
8. Press the **[▶▶]** button to search next song of the desired letter.

Selecting category using preset memory

1. Press and hold the **[BAND]** button (1 sec.) to select the iPod menu mode.

The category can be set as follows in the **[DIRECT]** (1-6) buttons.

[1] : PLAYLISTS

[2] : ARTISTS

[3] : ALBUMS

[4] : SONGS

[5] : GENRES

[6] : COMPOSERS

2. Press the desired **[DIRECT]** (1-6) button to select the category.

* Subfolders may be displayed, depending on the category.

In this case, turn the **[ROTARY]** knob to switch between subfolders, then press the **[ROTARY]** knob to select the desired subfolder.

3. When the track name display is showing, press the **[ROTARY]** knob.

Playback will begin from the first track in the selected category, and the iPod menu mode will be canceled.

* Turn the **[ROTARY]** knob to select a track within a category.

iPod menu list back

After exiting the iPod menu operation mode:

If press the **[BAND]** button, it will return to the previous subfolder list mode.

If press and hold the **[BAND]** button (1 sec.), it will return to the category list mode.

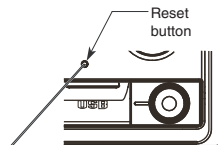
About title display

This unit supports the display of title information transmitted from a connected iPod.

- Character code information is UTF-8; displayable characters include English alphanumerics, some symbols, and some umlaut characters.
- Unsupported characters will be replaced by asterisks (*).

7. TROUBLESHOOTING

| | Problem | Cause | Measure |
|---------|--|---|--|
| General | Power does not turn on. (No sound is produced.) | Fuse is blown. | Replace with a fuse of the same amperage. If the fuse blows again, consult your store of purchase. |
| | | Incorrect wiring. | Consult your store of purchase. |
| | No sound output when operating the unit with amplifiers or power antenna attached. | Power antenna lead is shorted to ground or excessive current is required for remote-on the amplifiers or power antenna. | <ol style="list-style-type: none"> 1. Turn the unit off. 2. Remove all wires attached to the power antenna lead. Check each wire for a possible short to ground using an ohm meter. 3. Turn the unit back on. 4. Reconnect each amplifier remote wire to the power antenna lead one by one. If the amplifiers turn off before all wires are attached, use an external relay to provide remote-on voltage (excessive current required). |
| | Nothing happens when buttons are pressed. | The microprocessor has malfunctioned due to noise, etc. | Press the reset button for about 2 seconds with a thin rod. If the RESET button is pressed when a disc is loaded, please eject the disc and load it once again before attempting to play it. |
| | Display is not accurate. | | |
| | | Main unit connectors are dirty. | Wipe the dirt off with a soft cloth moistened with cleaning alcohol. |
| | No sound heard | The speaker protection circuit is operating. | <ol style="list-style-type: none"> 1. Turn down sound volume. Function can also be restored by turning the power off and on again. (Speaker volume is reduced automatically when the speaker protection circuit operates). 2. If the sound is muted again, consult our service department. |



| | Problem | Cause | Measure |
|--------------------------|---|--|--|
| CD/MP3/WMA | No sound heard | MP3/WMA files are absent in a disc. | Write MP3/WMA files onto the disc properly. |
| | | Files are not recognized as an MP3/WMA file. | Use MP3/WMA files encoded properly. |
| | | File system is not correct. | Use ISO9660 level 1, 2 or JOLIET or Romeo or APPLE ISO file system. |
| | Sound skips or is noisy. | Compact disc is dirty. | Clean the compact disc with a soft cloth. |
| | | Compact disc is heavily scratched or warped. | Replace with a compact disc with no scratches. |
| | Sound is cut or skipped. Noise is generated or noise is mixed with sound. | MP3/WMA files are not encoded properly. | Use MP3/WMA files encoded properly. |
| | Sound is bad directly after power is turned on. | Water droplets may form on the internal lens when the car is parked in a humid place. | Let dry for about 1 hour with the power on. |
| Wrong filename | File system is not correct. | Use ISO9660 level 1, 2 or JOLIET or Romeo or APPLE ISO file system. | |
| USB/iPod | No sound heard | The device contains no MP3/WMA files. | Record MP3/WMA files properly to the device. |
| | | The files are not proper MP3/WMA format. | Use only properly encoded MP3/WMA files. |
| | | Connectors are loose. | Disconnect the device and reconnect securely. |
| | | Some USB portable music players may consume current that exceeds the USB rating. In this case, this unit's overcurrent protection circuit operates to stop the music playback. | Check operation of portable music player. |
| | Sound is interrupted or has noise. | The MP3/WMA files are improperly encoded. | Use only properly encoded MP3/WMA files. |
| | The device isn't recognized. | The device is damaged. | Disconnect the device and reconnect. If the device is still not recognized, try replacing with a different device. |
| | | Connectors are loose. | |
| | According to the state of operation on the device, the communication fault is caused. | Disconnect the device and reconnect. | |
| Can't insert the device. | The device has been inserted improperly. | Try reversing the connection direction of the device (usually the brand name surface should be facing left). | |
| | The connector is broken. | Replace with a new device. | |

8. ERROR DISPLAYS

If an error occurs, one of the following displays is displayed.

Take the measures described below to eliminate the problem.

| | Error Display | Cause | Measure |
|------------|----------------------------|--|--|
| CD/MP3/WMA | ERROR 2 | A CD is caught inside the CD deck and is not ejected. | This is a failure of CD deck's mechanism and consult your store of purchase. |
| | ERROR 3 | A CD cannot be played due to scratches, etc. | Replace with a non-scratched, non-warped-disc. |
| | ERROR 6 | A CD is loaded upside-down inside the CD deck and does not play. | Eject the disc then reload it properly. |
| USB/iPod | ERROR 7 (iPod mode) | The connected iPod is not recognized. | Disconnect and reconnect the iPod. |
| | ERROR 7 | Overcurrent detection. | Disconnect the devices and reconnect. If the devices are still not recognized, try replacing with a different devices. |
| | ERROR 7 | Do not support the HUB devices. | Do not use the HUB devices. |

If an error display other than the ones described above appears, press the reset button. If the problem persists, turn off the power and consult your store of purchase.

9. SPECIFICATIONS

FM Tuner

Frequency Range: 87.9 MHz to 107.9 MHz
 Usable Sensitivity: 11 dB μ V
 50dB Quieting Sensitivity: 17 dB μ V
 Alternate Channel Selectivity: 60 dB
 Stereo Separation (1 kHz): 30 dB
 Frequency Response (± 3 dB): 30 Hz to 15 kHz

AM Tuner

Frequency Range: 530 kHz to 1710 kHz
 Usable Sensitivity: 28 dB μ V

CD Player

System: Compact disc digital audio system
 Usable Discs: Compact disc
 Frequency Response (± 1 dB): 20 Hz to 20 kHz
 Dynamic Range (1 kHz): 80 dB
 Harmonic Distortion: 0.03%

Audio

Maximum Power Output: 200 W (50 W \times 4 ch)
 Bass Control Action (100 Hz): +14 dB, -14 dB
 Treble Control Action (10 kHz): +14 dB, -14 dB
 Line Output Level (CD 1 kHz): 2 V

Note:

- Specifications and design are subject to change without notice for further improvement.

General

Power Supply Voltage:
 14.4 V DC (10.8 to 15.6 V allowable), negative ground
 Current Consumption: Less than 15 A
 Speaker Impedance: 4 Ω (4 Ω to 8 Ω allowable)
 Auto Antenna Rated Current: 500 mA or less
 Weight / Source unit: 3.33 lb. (1.51 kg)
 Weight / Remote control unit:
 1.41 oz. (40 g) (including battery)
 Dimensions / Source unit:
 7" (Width) \times 4" (Height) \times 6-1/8" (Depth)
 [178 (W) \times 100 (H) \times 155 (D) mm]
 Dimensions / Remote control unit:
 1-3/4" (Width) \times 4-5/16" (Height) \times 7/16"
 (Depth)
 [44 (W) \times 113 (H) \times 11 (D) mm]

Power Output :

21 W RMS \times 4 Channels at 4 Ω
 and ≤ 1 % THD+N

Signal to Noise Ratio:

92 dBA (reference: 1 W into 4 Ω)



Clarion Co., Ltd.

All Rights Reserved. Copyright © 2010: Clarion Co., Ltd.
Printed in China / Imprimé en Chine / Impreso en China

2010/11

PE-3419B
280-9008-00